

REV.
D

SAE AS1581

RATIONALE

ADD NOTE TO INDICATE ACTIVATION DATES FOR PRI-QPL-AS1576.

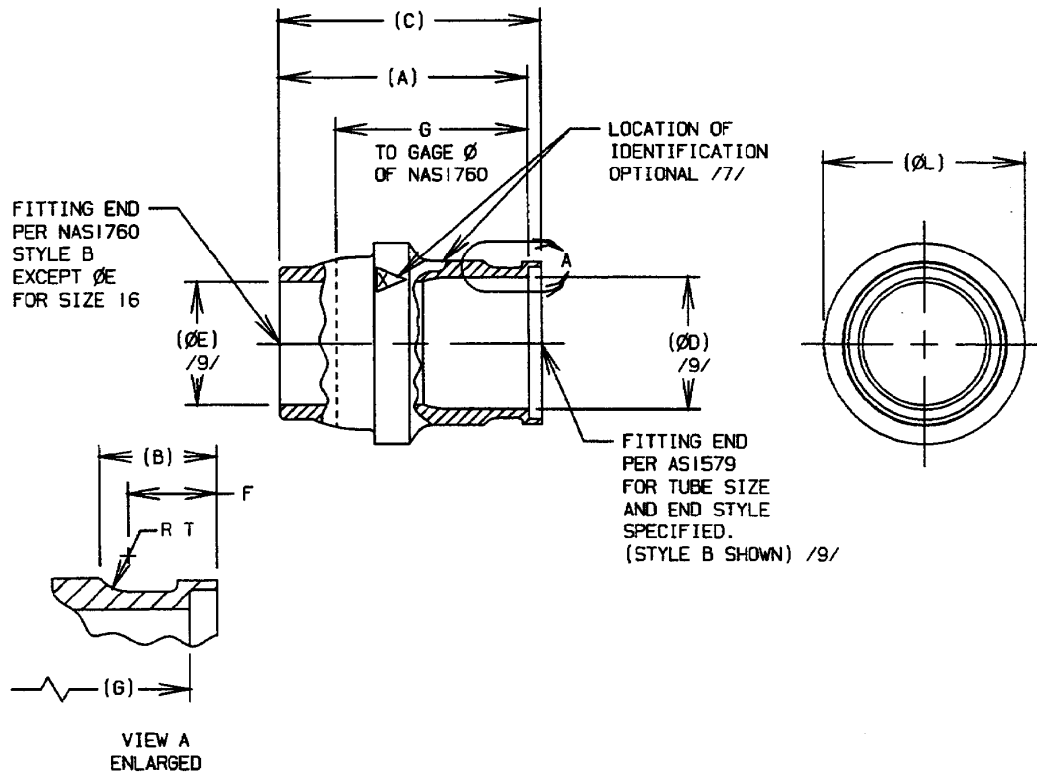


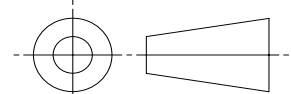
FIGURE 1 - FITTING, SLEEVE

TABLE 1 - DIMENSIONS

BASIC NO. AS1581 /17/ SIZE CODE	(NOMINAL TUBE SIZE)	(NOMINAL TUBE WALL)	PORT #2 STYLE	A /10/	B /10/	C	D /9/	E /9/	F
04	.250	.016	B	.759	.152	.789	.212	.176	.111
05	.312	.020	B	.759	.152	.789	.266	.232	.110
06	.375	.020	B	.759	.152	.789	.329	.294	.111
08	.500	.026	B	.835	.194	.875	.442	.412	.147
10	.625	.033	B	.971	.226	1.011	.553	.498	.175
12	.750	.039	B	1.031	.274	1.081	.666	.648	.205
16	1.000	.052	A	1.205	.343	1.265	.890	-	.274
20	1.250	.065	B	1.375	.343	1.435	1.114	1.090	.273

SAE values your input. To provide feedback
on this Technical Report, please visit
<http://www.sae.org/technical/standards/AS1581D>

THIRD ANGLE PROJECTION



CUSTODIAN: G-3/G-3B

PROCUREMENT SPECIFICATION: /6/ AS1576

SAE Aerospace
An SAE International Group

AEROSPACE STANDARD

FITTING, SLEEVE, FLARELESS ACORN
TO INTEGRAL WELD RING, 3000 PSI

SAE AS1581
SHEET 1 OF 3

**REV.
D**

SAE Technical Standards Board Rules provide that: "This report is published by SAE to advance the state of technical and engineering sciences. The use of this report is entirely voluntary, and its applicability and suitability for any particular use, including any patent infringement arising therefrom, is the sole responsibility of the user." SAE reviews each technical report at least every five years at which time it may be revised, reaffirmed, stabilized, or cancelled. SAE invites your written comments and