

FEDERAL SUPPLY CLASS
5940

**REV.
E**

AS25036™

RATIONALE

REVISION INCLUDES NEW CRIMP TOOLS AND EDITORIAL CHANGES AS NEEDED.

NOTICE

THE COMPLETE REQUIREMENTS FOR PROCURING THE PRODUCT DESCRIBED HEREIN SHALL CONSIST OF THIS DOCUMENT AND THE LATEST ISSUE OF AS7928.

SAE Technical Standards Board Rules provide that: "This report is published by SAE to advance the state of technical and engineering sciences. The use of this report is entirely voluntary, and its applicability and suitability for any particular use, including any patent infringement arising therefrom, is the sole responsibility of the user." SAE invites your written comments and suggestions. SAE reviews each technical report at least every five years at which time it may be revised, reaffirmed, stabilized, or cancelled.

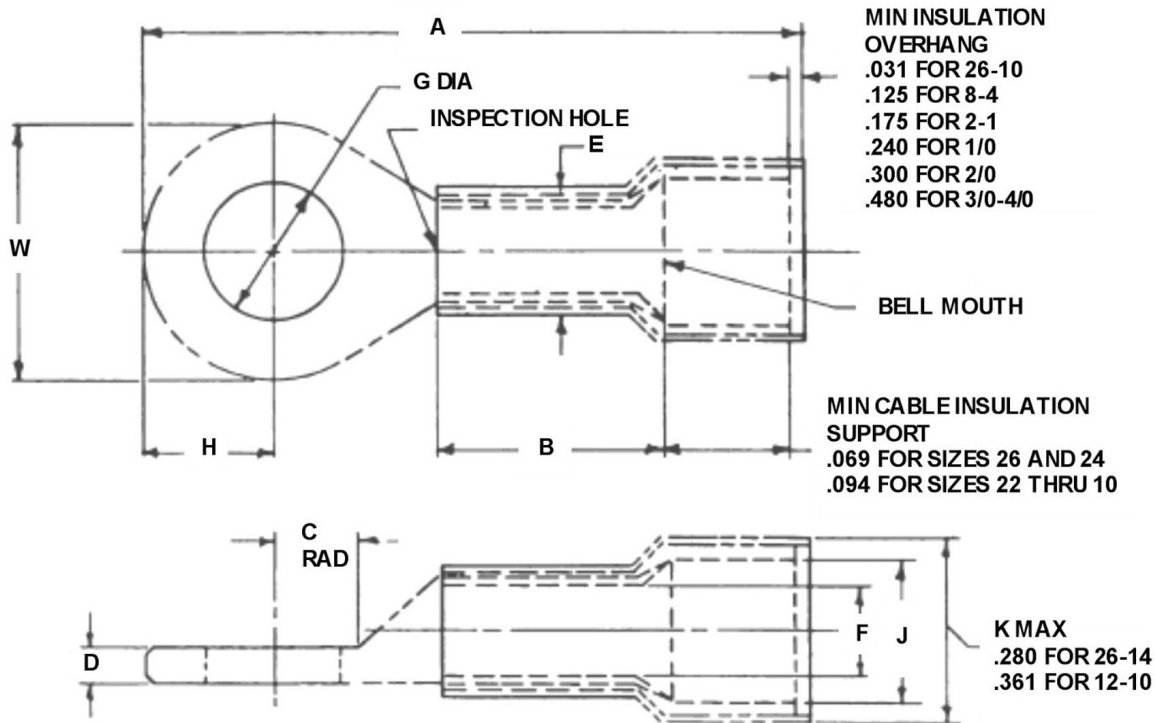
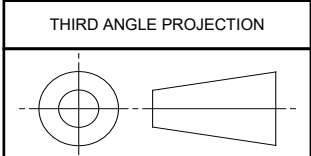


FIGURE 1 - TERMINAL CONSTRUCTION

For more information on this standard, visit
<https://www.sae.org/standards/content/AS25036E>



CUSTODIAN: AE-8/AE-8C2

PROCUREMENT SPECIFICATION: AS7928



AEROSPACE STANDARD

(R) TERMINAL, LUG, CRIMP STYLE, COPPER, INSULATED, RING TONGUE, BELL-MOUTHED, TYPE II, CLASS 1 (FOR 105 °C TOTAL CONDUCTOR TEMPERATURE)

AS25036™
SHEET 1 OF 5

**REV.
E**

ISSUED 1998-07 REVISED 2015-12 REAFFIRMED 2020-08

TABLE 1 - DIMENSIONS

DASH NO.	WIRE SIZE	STUD SIZE	A MAX	B MIN	C MIN RAD	D		E DIA	F DIA	G DIA		W & H 1/		INSULATING SLEEVE COLOR
						MAX	MIN			MAX	MIN	MAX	MIN	
143	26-24	2	.740	.126	.133	.028	.022	.215/.190	.033/.027	.098	.090	.210	.133	YELLOW
144	26-24	4	.755	.126	.171	.028	.022	.215/.190	.033/.027	.122	.114	.260	.193	YELLOW
145	26-24	6	.855	.126	.202	.028	.022	.215/.190	.033/.027	.152	.142	.260	.245	YELLOW
146	26-24	8	.855	.126	.202	.028	.022	.215/.190	.033/.027	.178	.168	.330	.245	YELLOW
147	26-24	10	.865	.126	.227	.028	.022	.215/.190	.033/.027	.203	.193	.330	.245	YELLOW
159	22-18	2	.755	.156	.115	.035	.027	.215/.190	.073/.052	.098	.090	.230	.198	RED
148	22-18	4	.755	.156	.125	.035	.027	.215/.190	.073/.052	.122	.114	.230	.210	RED
101	22-18	6	.790	.156	.125	.035	.027	.215/.190	.073/.052	.152	.142	.230	.210	RED
102	22-18	6	.865	.156	.202	.035	.027	.215/.190	.073/.052	.152	.142	.260	.245	RED
149	22-18	8	.930	.156	.202	.035	.027	.215/.190	.073/.052	.178	.168	.320	.305	RED
103	22-18	10	1.090	.156	.234	.035	.027	.215/.190	.073/.052	.203	.193	.320	.305	RED
150	22-18	1/4	1.090	.156	.265	.035	.027	.215/.190	.073/.052	.275	.260	.473	.450	RED
104	22-18	5/16	1.090	.156	.296	.035	.027	.215/.190	.073/.052	.338	.323	.473	.450	RED
105	22-18	3/8	1.320	.156	.328	.035	.027	.215/.190	.073/.052	.400	.385	.540	.520	RED
151	22-18	1/2	1.320	.156	.453	.035	.027	.215/.190	.073/.052	.525	.510	.720	.705	RED
152	16-14	4	.774	.156	.125	.035	.029	.240/.210	.095/.081	.122	.114	.260	.240	BLUE
106	16-14	6	.815	.156	.125	.035	.029	.240/.210	.095/.081	.152	.142	.260	.240	BLUE
107	16-14	6	.910	.156	.202	.035	.029	.240/.210	.095/.081	.152	.142	.317	.302	BLUE
153	16-14	8	.955	.156	.202	.035	.029	.240/.210	.095/.081	.178	.168	.317	.302	BLUE
108	16-14	10	.955	.156	.234	.035	.029	.240/.210	.095/.081	.203	.193	.317	.302	BLUE



AEROSPACE STANDARD

(R) TERMINAL, LUG, CRIMP STYLE, COPPER,
INSULATED, RING TONGUE, BELL-MOUTHED, TYPE II,
CLASS 1 (FOR 105 °C TOTAL CONDUCTOR TEMPERATURE)

AS25036™
SHEET 2 OF 5

REV.
E