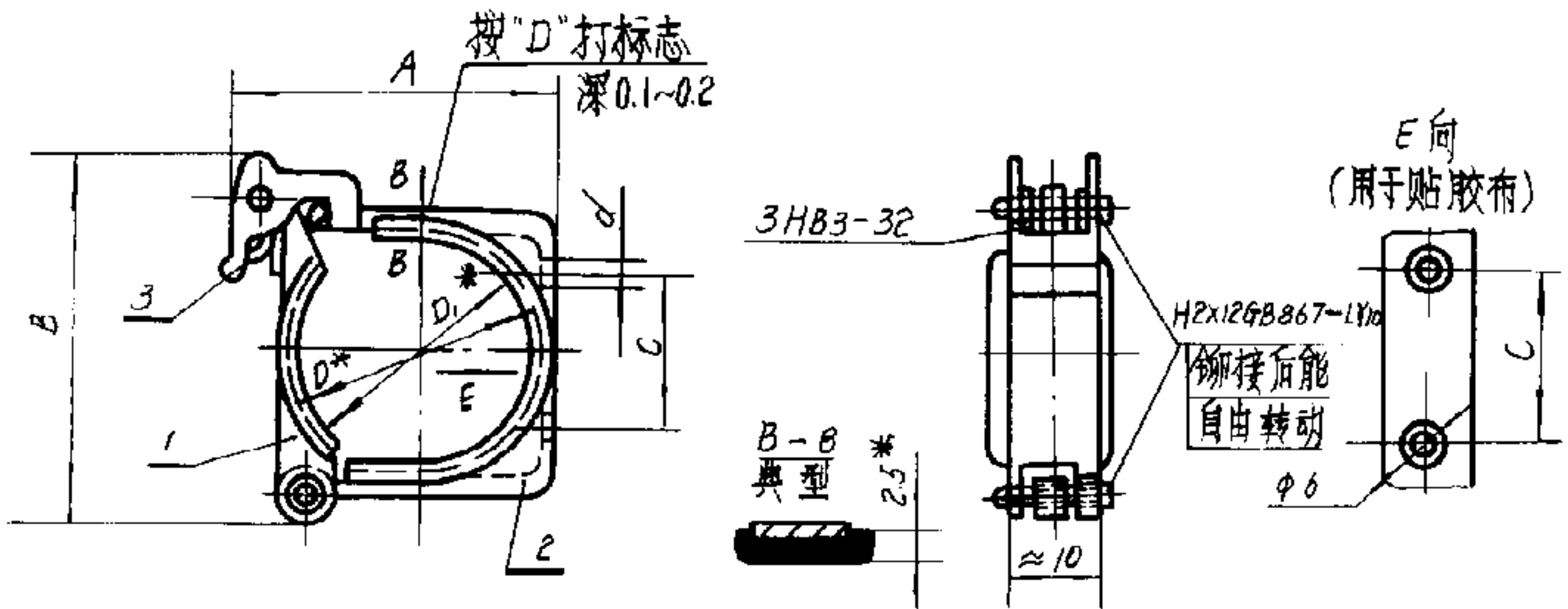


电缆固定卡箍

代替HB3-32-76



标记示例: D=20的卡箍
 不带胶布垫 HB3-32-20
 带胶布垫 HB3-32-20J

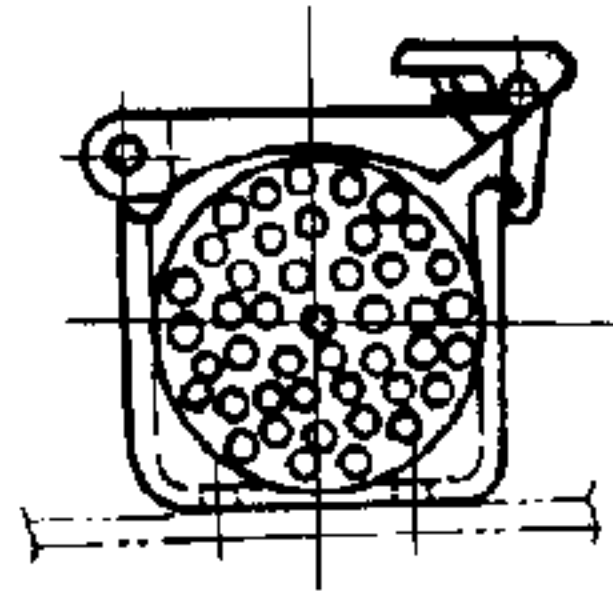
| D* | D ₁ * | d | A | B | C | 1 | 2 | 3 | 胶布垫 (毛料) | 单件理论 重量 g |
|----|------------------|------|------|------|------------|------------|------------|--------|-------------|--------------|
| | | | | | | 盖子 | 底座 | 卡箍扣 | | |
| mm | | | | | | | | | | |
| 6 | — | 21 | 16 | 20.5 | 5 | 1HB3-32-6 | 2HB3-32-6 | HB3-33 | — | 4.2 |
| 8 | — | | | | | 1HB3-32-8 | 2HB3-32-8 | | — | 3.8 |
| 10 | — | 26 | 18 | 22.5 | 6 | 1HB3-32-10 | 2HB3-32-10 | HB3-34 | — | 4.5 |
| 12 | 11 | | 20 | 24.5 | 7 | 1HB3-32-12 | 2HB3-32-12 | | 16x36 | 5.7 |
| 15 | 14 | | 23 | 27.5 | 8 | 1HB3-32-15 | 2HB3-32-15 | | 16x45 | 6.8 |
| 18 | 17 | | 26 | 30.5 | 11 | 1HB3-32-18 | 2HB3-32-18 | | 16x55 | 7.3 |
| 20 | 19 | | 28 | 32.5 | 13 | 1HB3-32-20 | 2HB3-32-20 | | 16x61 | 8.0 |
| 24 | 23 | 31 | 32 | 36.5 | 16 | 1HB3-32-24 | 2HB3-32-24 | 16x73 | 9.4 | |
| 30 | 29 | | 38 | 42.5 | 18 | 1HB3-32-30 | 2HB3-32-30 | 16x92 | 11.0 | |
| 36 | 35 | | 44 | 48.5 | 25 | 1HB3-32-36 | 2HB3-32-36 | 16x111 | 13.0 | |
| 39 | 38 | | 47 | 51.5 | | 1HB3-32-39 | 2HB3-32-39 | 16x121 | 15.0 | |
| 42 | 41 | | 50 | 54.5 | | 1HB3-32-42 | 2HB3-32-42 | 16x130 | 16.0 | |
| 45 | 44 | 53.5 | 57.5 | 30 | 1HB3-32-45 | 2HB3-32-45 | 16x140 | 16.5 | | |

胶布垫材料：双面胶布 B106 按 HG6-423-79。

胶布垫用 XY-502 胶(按 HG6-676-74)粘贴,然后硫化,粘贴前在胶布垫上制两个 $\phi 6$ 的孔,孔距为 C。

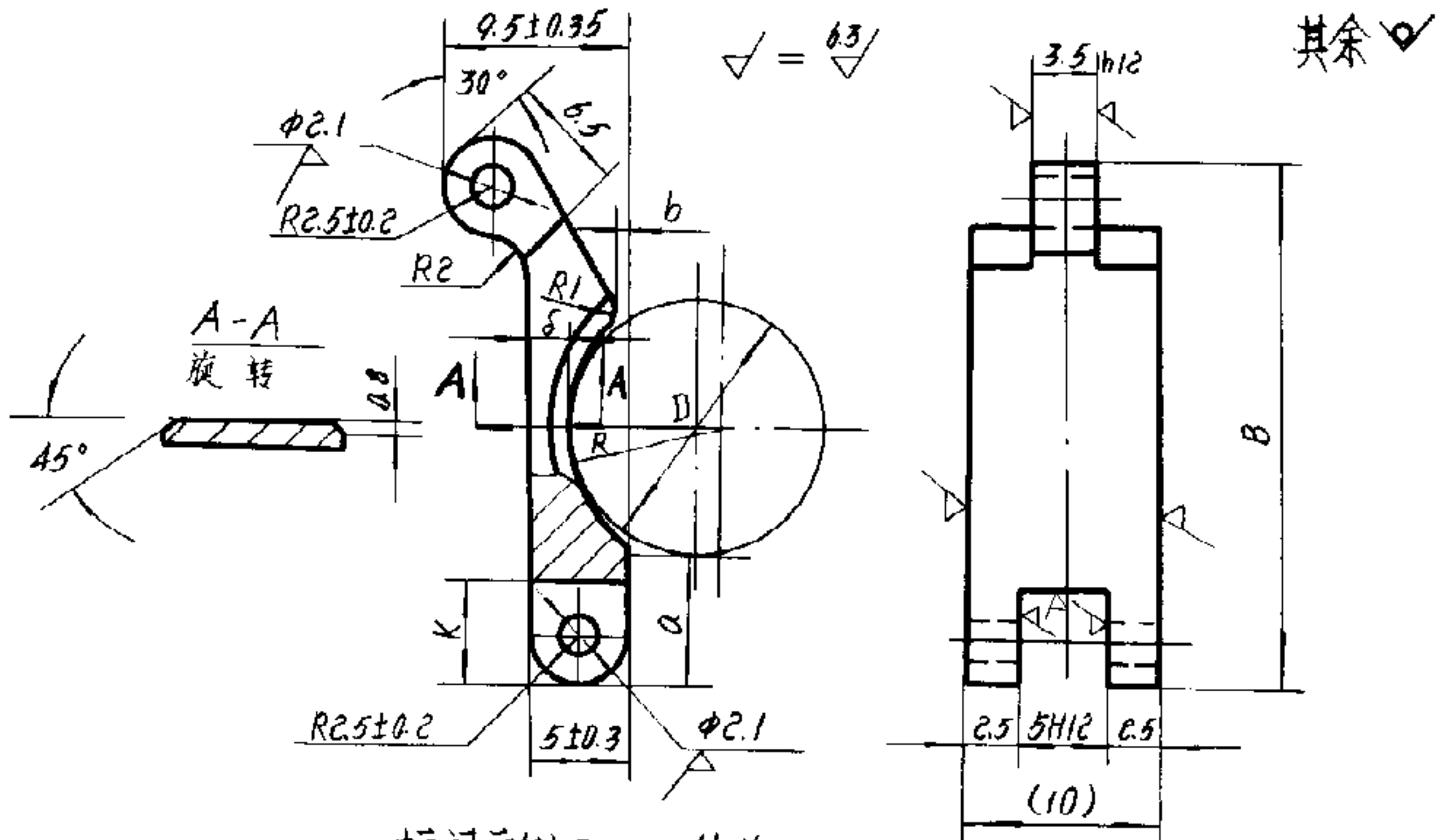
* 尺寸 D、D₁ 及 2.5 在成品中不检查

使用示例



电缆固定卡箍
盖子

代替 1HB3-32-76



标记示例 D=20 的盖子

1HB3-32-20

| 电缆直 径D | R | | B | | a | | δ ±0.2 | b | K | 单件理论 重量g | 挤压型材 代 号 |
|-----------|------|------|------|-------|------|-------|-----------|------|----------|-------------|-------------|
| | 基本尺寸 | 极限偏差 | 基本尺寸 | 极限偏差 | 基本尺寸 | 极限偏差 | | | | | |
| 6 | 4 | ±0.4 | 18.5 | ±0.45 | 5.5 | ±0.35 | 1.75 | 1.5 | 6.5 | 1.1 | XC631-5 |
| 8 | 5 | | | | 4.5 | | | | | | |
| 10 | 6 | | | | 4.5 | | | | | | |
| 12 | 7 | | | | 5 | | | | | | |
| 15 | 8.5 | ±0.5 | 28.5 | ±0.6 | 5.5 | 1 | 5.5 | 1.32 | XC631-8 | | |
| 18 | 11 | | | | 6 | | | | | | |
| 20 | 12 | | | | 6.7 | | | | | | |
| 24 | 14 | | | | 7.9 | | | | | | |
| 30 | 18 | ±0.5 | 40.5 | ±0.6 | 9.7 | 2 | - | 2.17 | XC631-12 | | |
| 36 | 22 | | | | 11.3 | | | | | | |
| 39 | 25 | | | | 12.3 | | | | | | |
| 42 | 27 | | | | 13.5 | | | | | | |
| 45 | 32 | ±0.7 | 55.5 | ±0.7 | 15.5 | ±0.45 | 2 | - | 2.85 | XC631-16 | |
| | | | | | | | | | | | |