

K-33-15

MIL-STD-1322-10 (Navy)  
14 August 1969

Department of the Navy

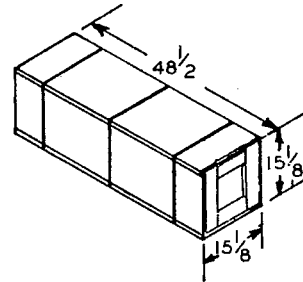
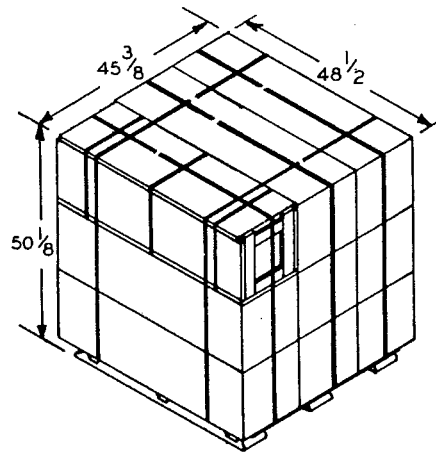
**PALLETIZING  
DOMESTIC UNIT LOAD**

**WEAPON "A" ROCKET MOTOR 5.25-INERT  
(IN WOOD BOX)**

UNIT LOAD DATA

NUMBER OF MOTORS PER CONTAINER .....	1
GROSS WEIGHT OF ONE CONTAINER .....	(Lbs.) 114
NUMBER OF MOTORS PER UNIT LOAD .....	9
NUMBER OF CONTAINERS PER UNIT LOAD .....	9
WEIGHT OF PALLET .....	(Lbs.) 94
WEIGHT OF UNIT LOAD .....	(Lbs.) 1120
CUBE .....	(Cu. Ft.) 64.0

DO NOT STACK MORE THAN 3 UNIT  
LOADS HIGH IN STORAGE



CONTAINER  
DWG 655987

**NOTES:**

1. FOR GENERAL PALLETIZING REQUIREMENTS SEE MIL-STD-1322 (NAVY).
2. UNLESS OTHERWISE SPECIFIED DIMENSIONS ARE IN INCHES.

MIL-STD NUMBER	ASSOCIATED PROCESS
1320-1	TRUCKLOADING

**THIS UNIT LOAD IS AUTHORIZED  
AND RELEASED FOR DEPOT HANDLING  
AND STORAGE AND FOR SHIPMENT BY COMMON  
CARRIER.**

SHEET 1 OF 2