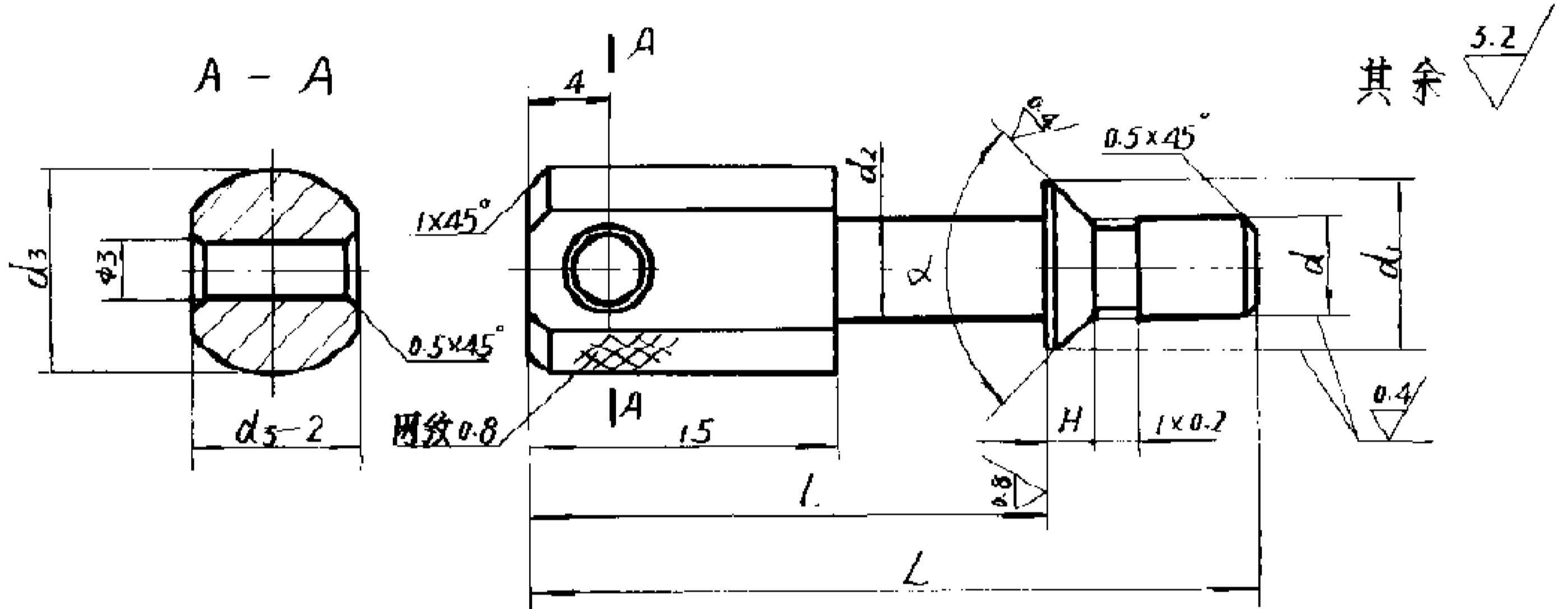


铆钉窝量规

代替



分类代号：0319

标记示例：铆钉直径为5mm， $\alpha=90^\circ$ 的铆钉窝量规：

$\frac{0319}{006} 5 \times 90^\circ$

mm

| 序号  | 铆钉直径 | $\alpha$ |      | H    |             | d(h9) |             | d <sub>1</sub> (h9) |             | d <sub>2</sub> | d <sub>3</sub> | L  | L  |    |
|-----|------|----------|------|------|-------------|-------|-------------|---------------------|-------------|----------------|----------------|----|----|----|
|     |      | 基本尺寸     | 极限偏差 | 基本尺寸 | 极限偏差        | 基本尺寸  | 极限偏差        | 基本尺寸                | 极限偏差        |                |                |    |    |    |
| 001 | 2    | 90°      | ±20' | 1.0  | 0<br>-0.025 | 2.0   | 0<br>-0.030 | 3.9                 | 0<br>-0.036 | 2.0            | 8              | 28 | 23 |    |
| 002 | 2.5  |          |      | 1.1  |             | 2.5   |             | 4.6                 |             | 2.5            |                |    |    |    |
| 003 | 3    |          |      | 1.2  |             | 3.0   |             | 5.2                 |             | 3.0            |                |    |    |    |
| 004 | 3.5  |          |      | 1.4  |             | 3.5   |             | 6.1                 |             | 3.5            |                | 30 |    |    |
| 005 | 4    |          |      | 1.6  |             | 4.0   |             | 7.0                 |             | 4.0            |                |    |    |    |
| 006 | 5    |          |      | 2.0  |             | 5.0   |             | 8.8                 |             | 5.0            |                | 10 |    |    |
| 007 | 6    |          |      | 2.4  |             | 6.0   |             | 10.4                |             | 6.0            |                | 35 |    | 25 |
| 008 | 8    |          |      | 3.2  |             | 8.0   |             | 14.0                |             | 8.0            |                |    |    |    |
| 009 | 10   |          |      | 4.0  |             | 10.0  |             | 17.6                |             | 10.0           |                | 40 |    | 30 |